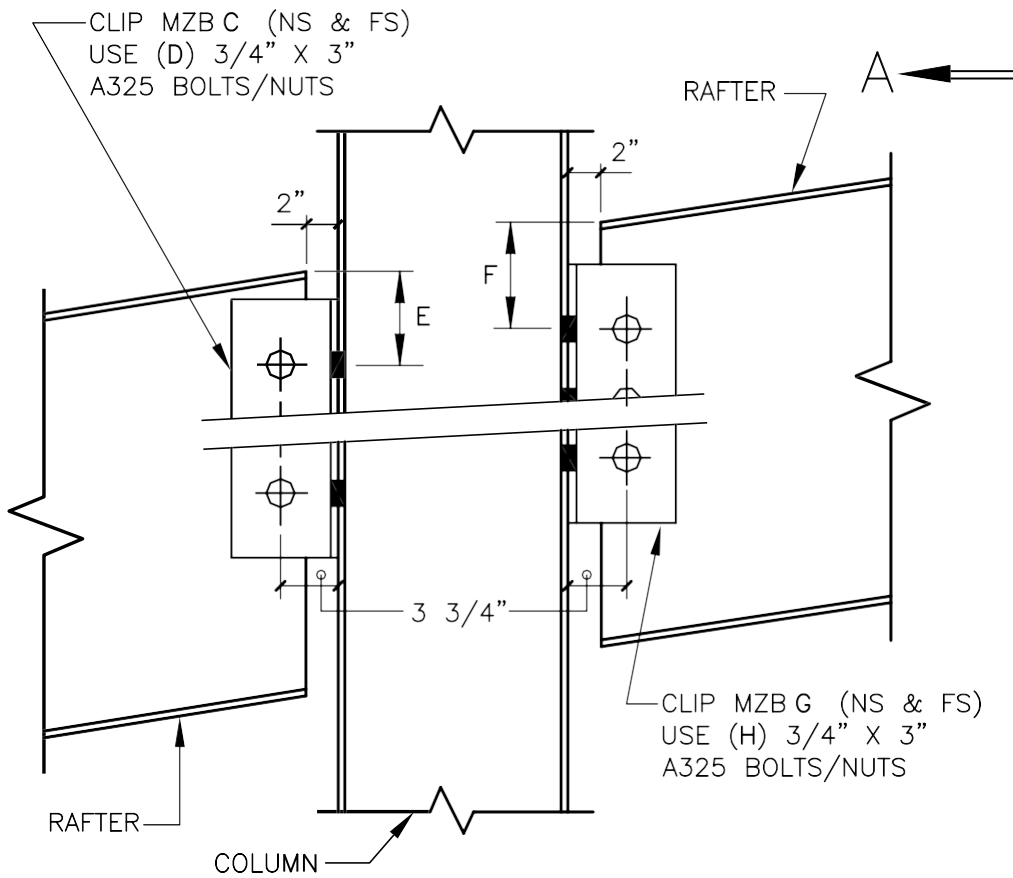


TABLE OF CONTENTS

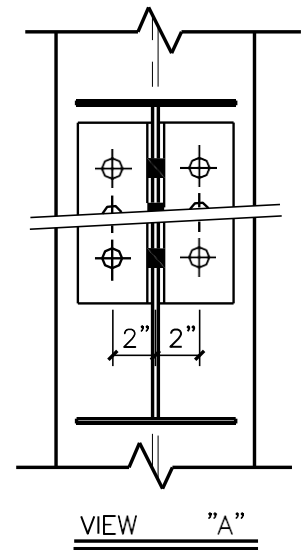
AT0010 – Rafter to Flange – Both Sides of Column.....	2
AT0020 – Rafter to Flange – One Side of Column.....	3
AT0030 – Ridge Connection at Column Flanges.....	4
AT0040 – Low Eave at Column Flange with Clip.....	5
AT0050 – High Eave at Column Flange with Clip.....	6
AT0060 – Rafter to Web – Both Sides of Column.....	7
AT0070 – Rafter to Web – One Side of Column.....	8
AT0080 – Ridge Connection at Column Web.....	9
AT0090 – Low Eave at Column Web with Clip.....	10
AT0100 – High Eave at Column Web with Clip.....	11
AT0110 – Low Eave at Column Web with Stub.....	12
AT0120 – High Eave at Column Web with Stub.....	13

AT0010 – RAFTER TO FLANGE – BOTH SIDES OF COLUMN



NOTE:

3/4" WASHERS
REQUIRED OVER
ALL SLOTS.

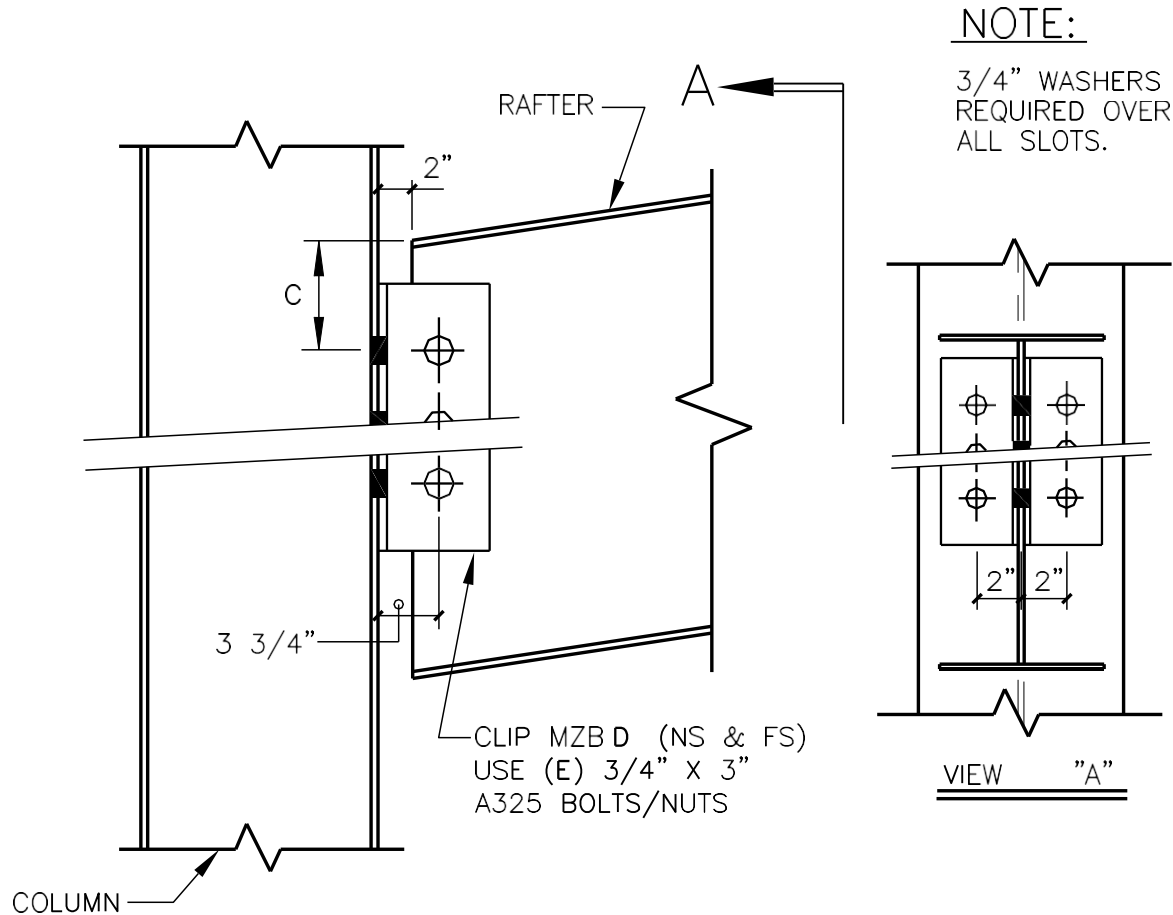


AUXILIARY RAFTER CONNECTION DETAIL

RAFTER TO FLANGE OF FULL HEIGHT COLUMN

AT0010

AT0020 – RAFTER TO FLANGE – ONE SIDE OF COLUMN

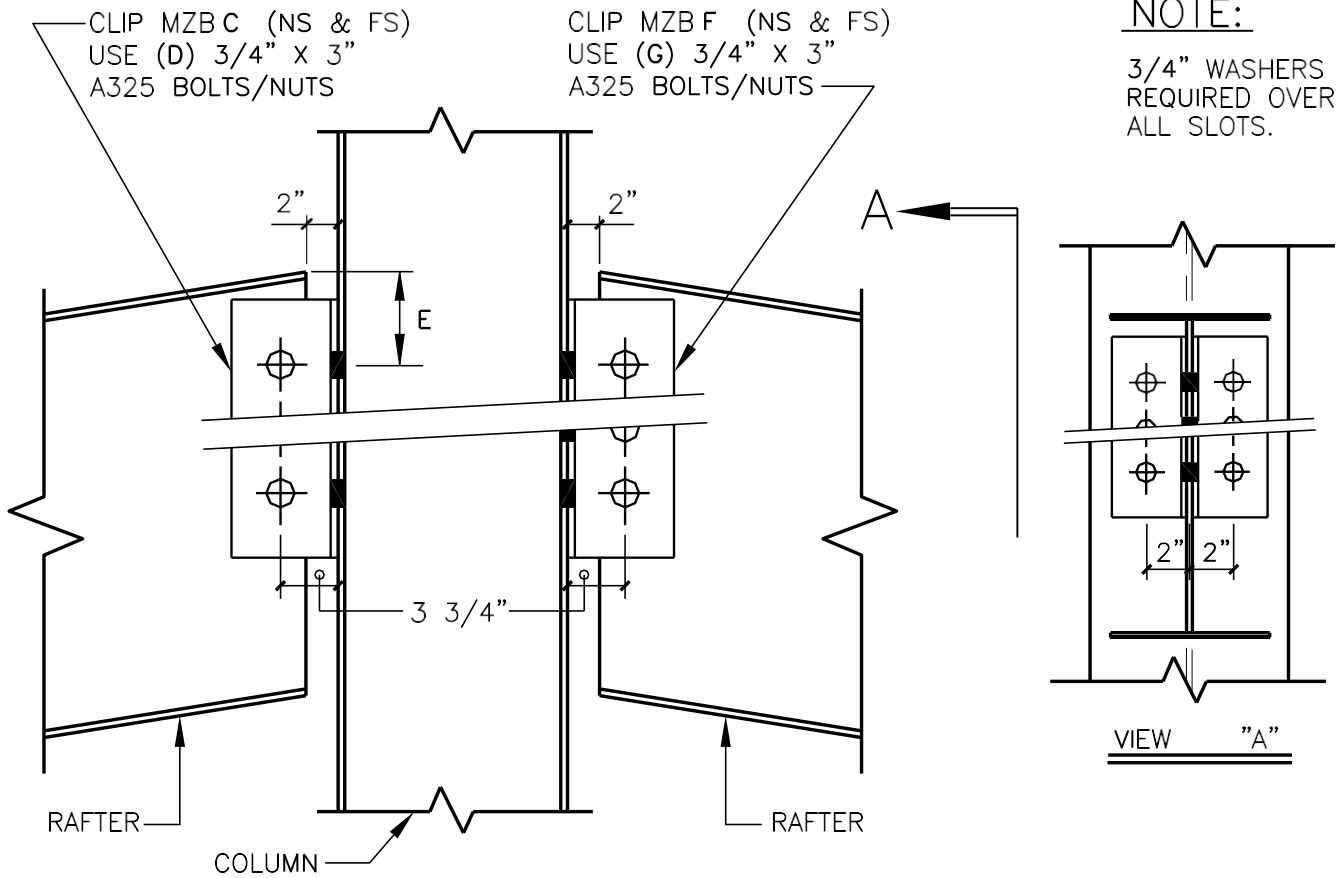


AUXILIARY RAFTER CONNECTION DETAIL

RAFTER TO FLANGE OF FULL HEIGHT COLUMN

AT0020

AT0030 – RIDGE CONNECTION AT COLUMN FLANGES



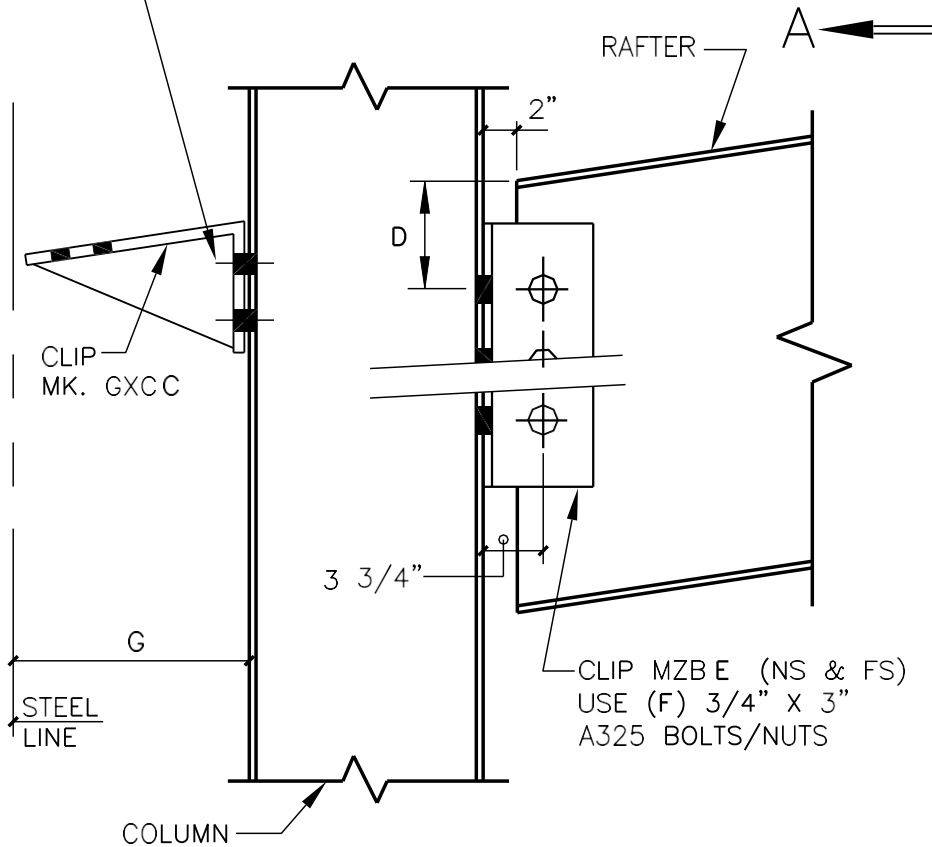
AUXILIARY RAFTER CONNECTION DETAIL

RAFTER TO FLANGE OF FULL HEIGHT COLUMN

AT0030

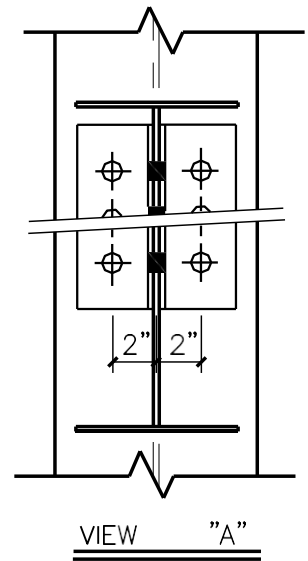
AT0040 – LOW EAVE AT COLUMN FLANGE WITH CLIP

USE (4) 1/2" X 2" A325
BOLTS/NUTS



NOTE:

3/4" WASHERS
REQUIRED OVER
ALL SLOTS.

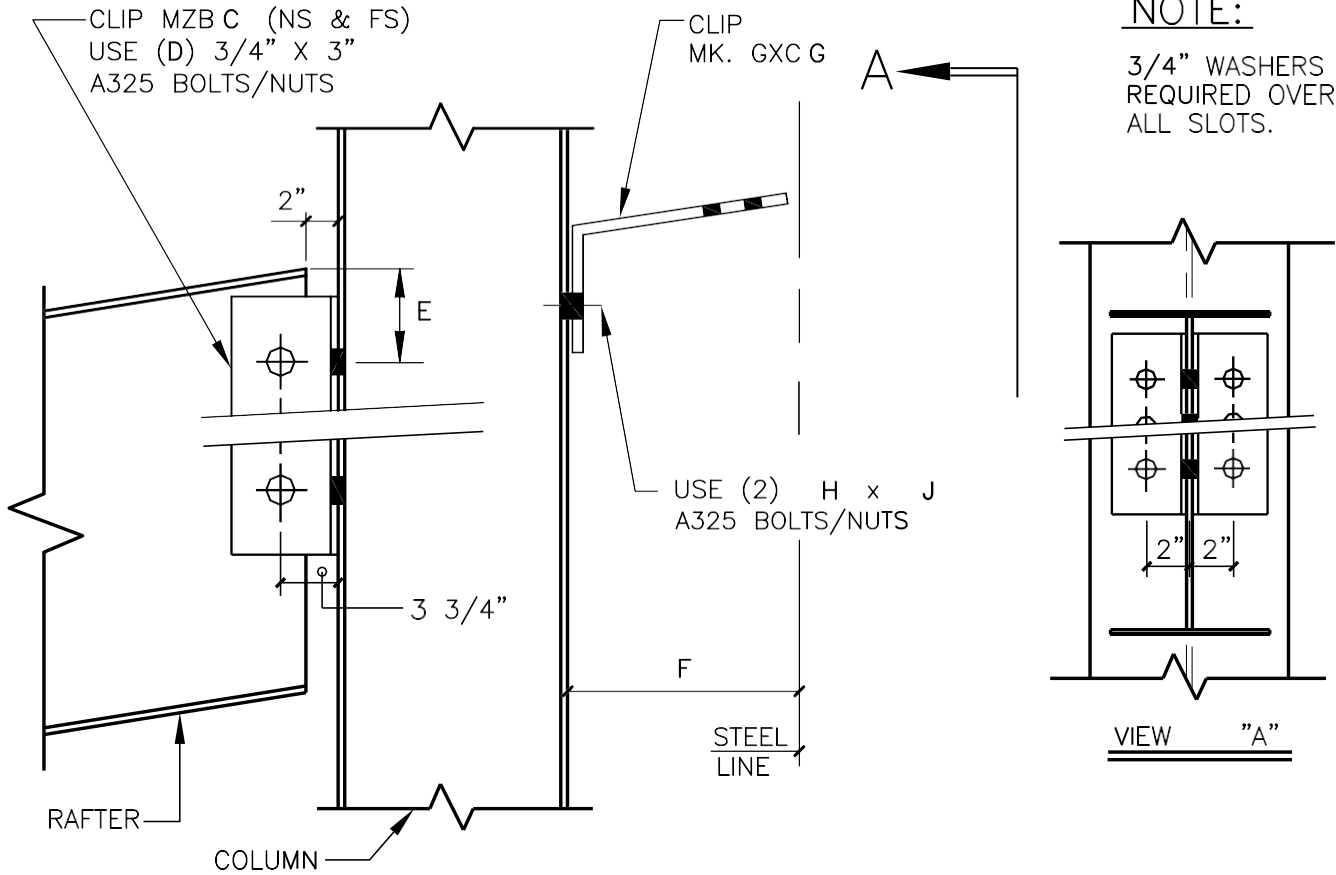


AUXILIARY RAFTER CONNECTION DETAIL

RAFTER TO FLANGE OF FULL HEIGHT COLUMN

AT0040

AT0050 – HIGH EAVE AT COLUMN FLANGE WITH CLIP

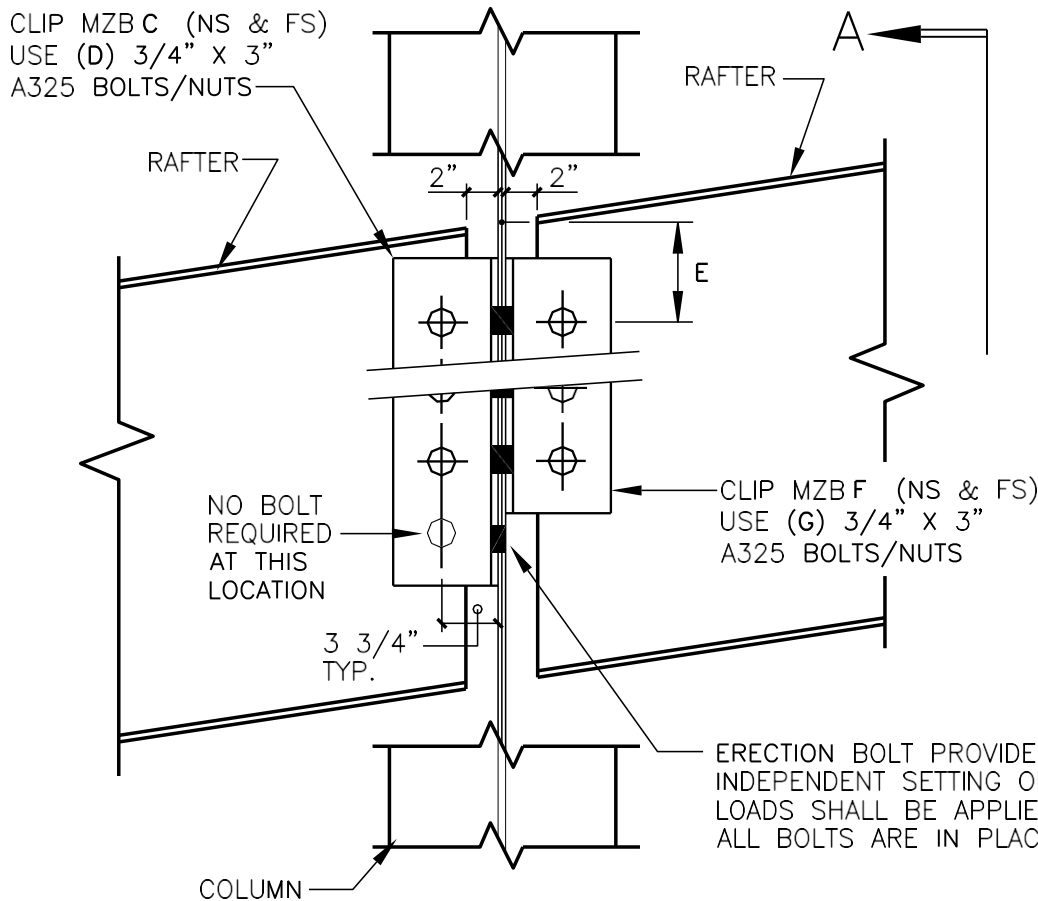


AUXILIARY RAFTER CONNECTION DETAIL

RAFTER TO FLANGE OF FULL HEIGHT COLUMN

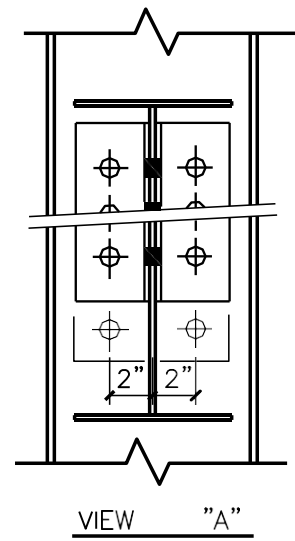
AT0050

AT0060 – RAFTER TO WEB – BOTH SIDES OF COLUMN



NOTE:

3/4" WASHERS
REQUIRED OVER
ALL SLOTS.

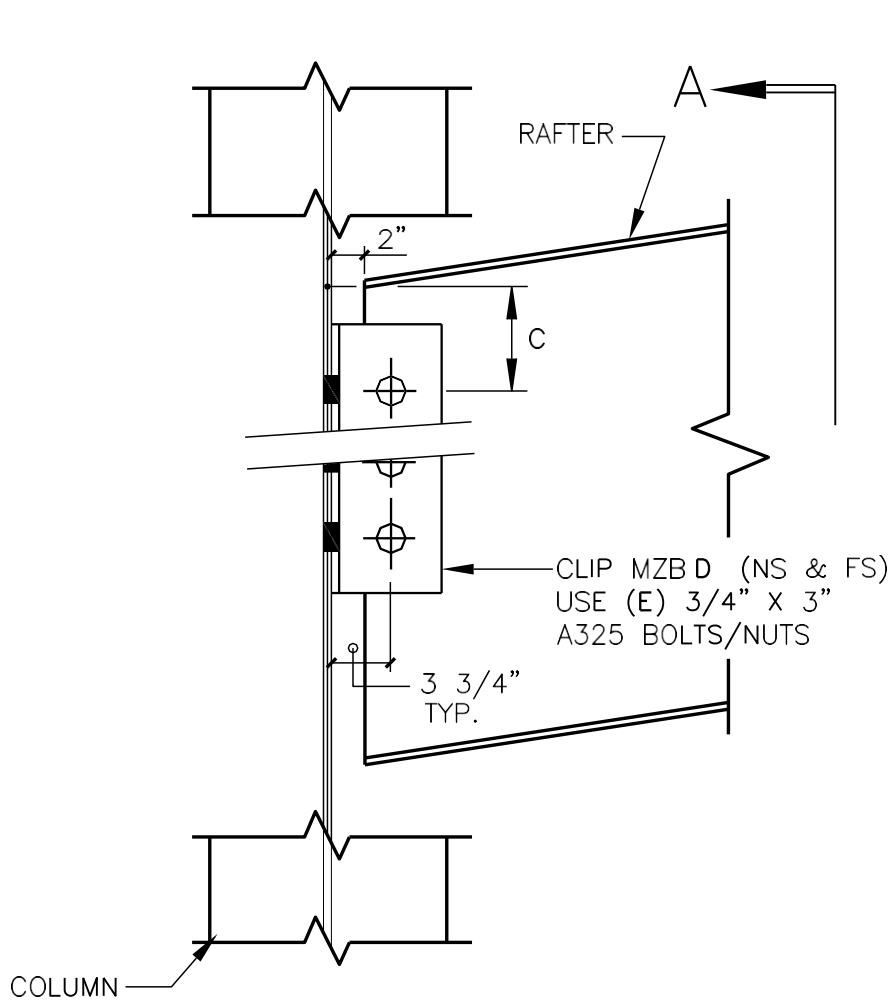


AUXILIARY RAFTER CONNECTION DETAIL

RAFTER TO WEB OF FULL HEIGHT COLUMN

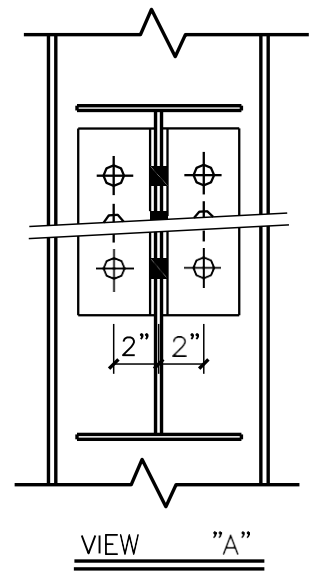
AT0060

AT0070 – RAFTER TO WEB – ONE SIDE OF COLUMN



NOTE:

3/4" WASHERS
REQUIRED OVER
ALL SLOTS.



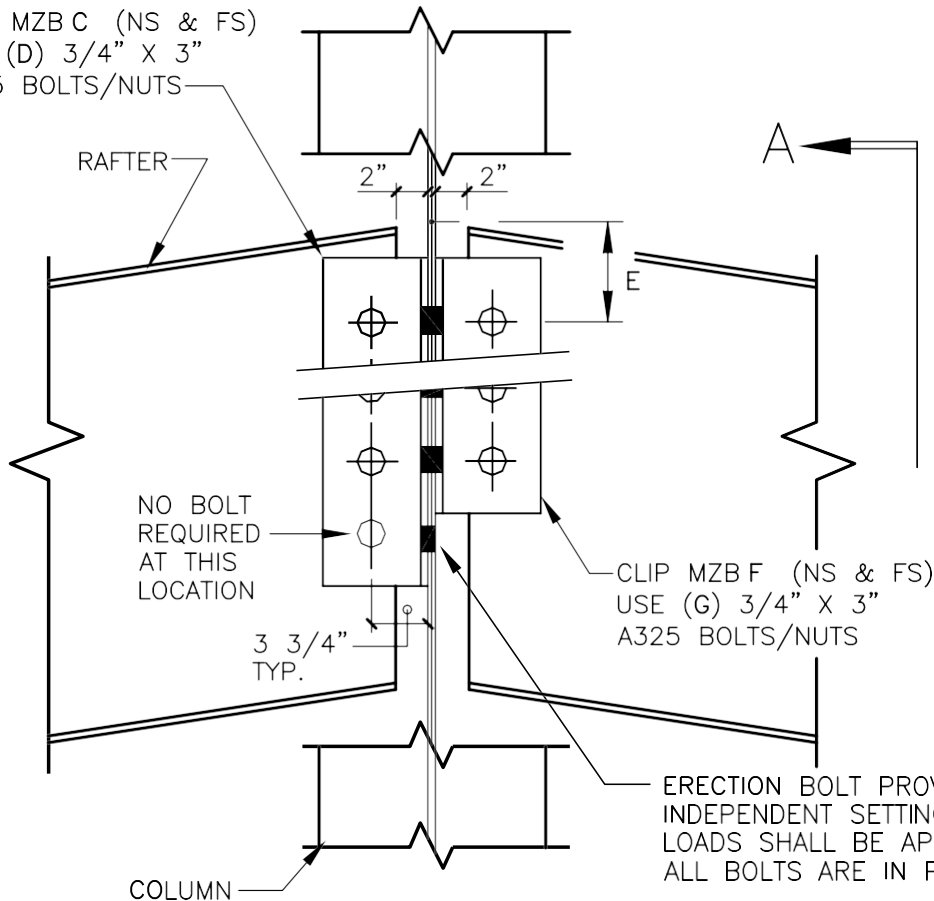
AUXILIARY RAFTER CONNECTION DETAIL

RAFTER TO WEB OF FULL HEIGHT COLUMN

AT0070

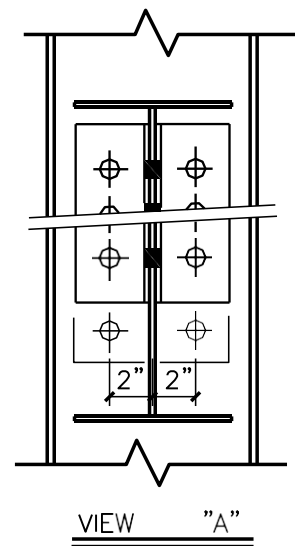
AT0080 – RIDGE CONNECTION AT COLUMN WEB

CLIP MZB C (NS & FS)
USE (D) 3/4" X 3"
A325 BOLTS/NUTS



NOTE:

3/4" WASHERS
REQUIRED OVER
ALL SLOTS.

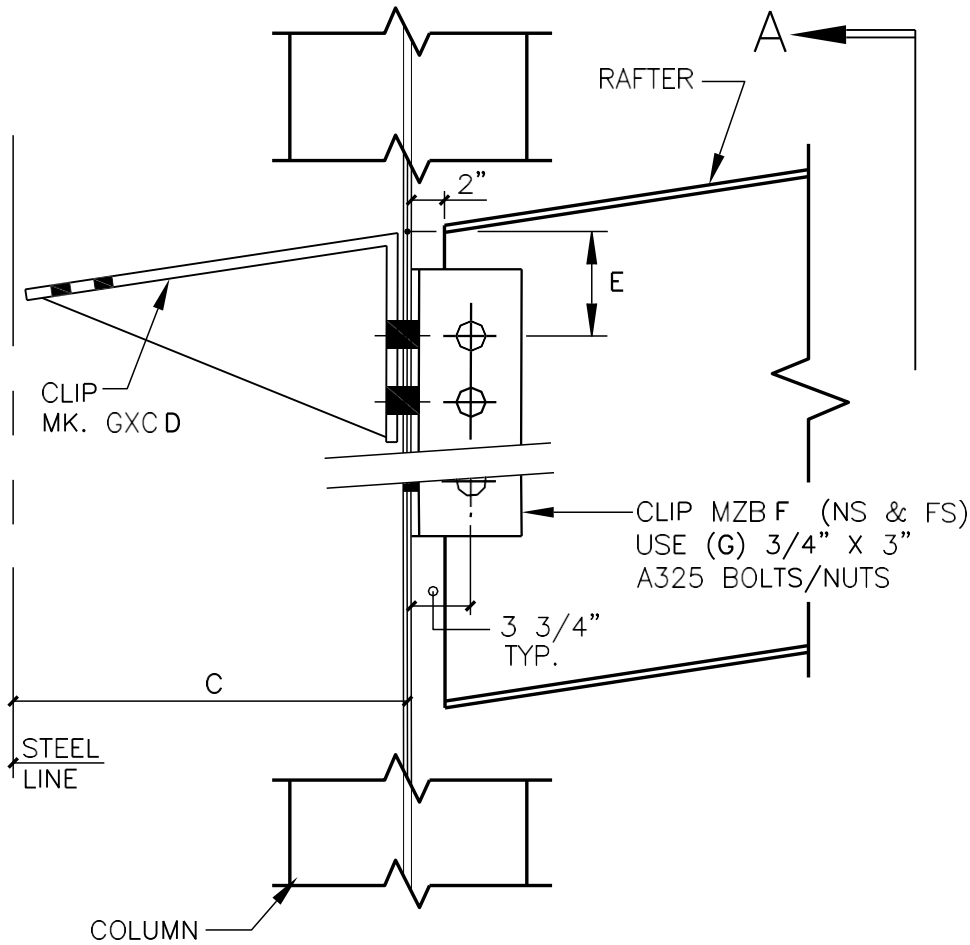


AUXILIARY RAFTER CONNECTION DETAIL

RAFTER TO WEB OF FULL HEIGHT COLUMN

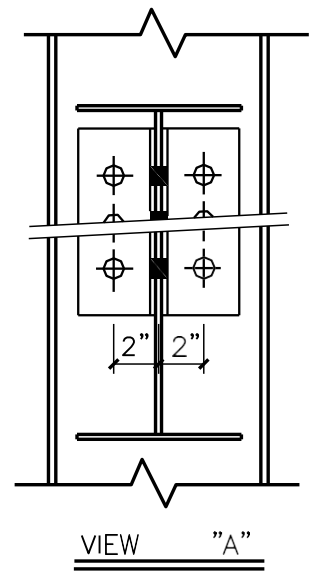
AT0080

AT0090 – LOW EAVE AT COLUMN WEB WITH CLIP



NOTE:

3/4" WASHERS
REQUIRED OVER
ALL SLOTS.

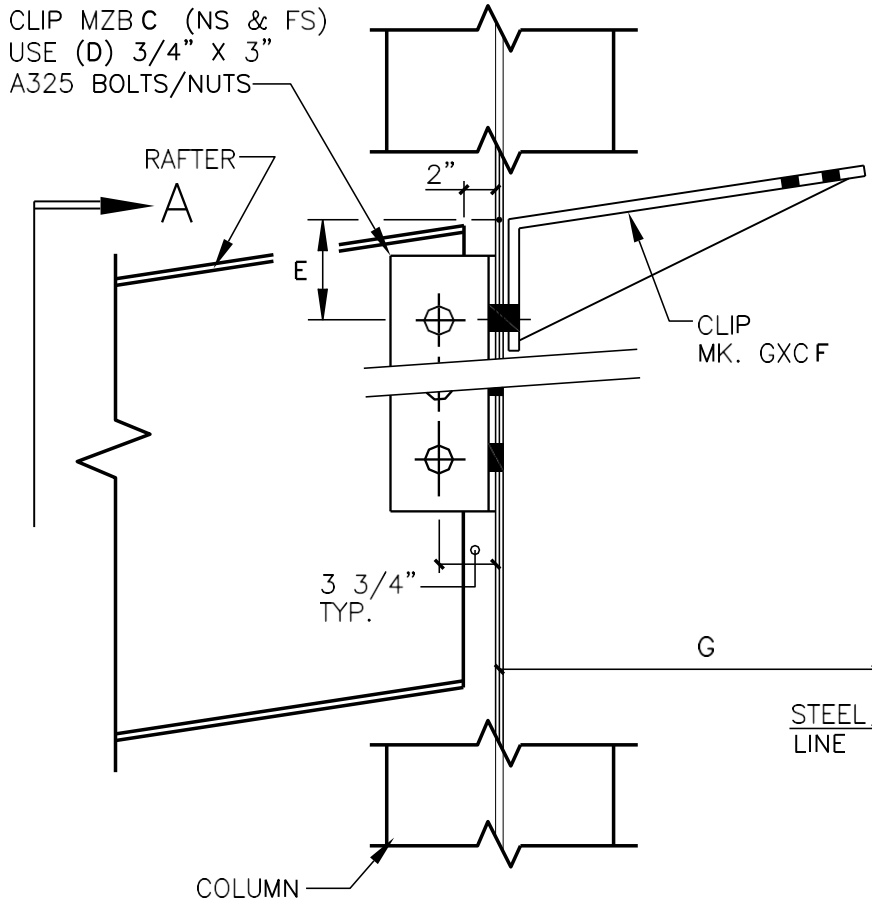


AUXILIARY RAFTER CONNECTION DETAIL

RAFTER TO WEB OF FULL HEIGHT COLUMN

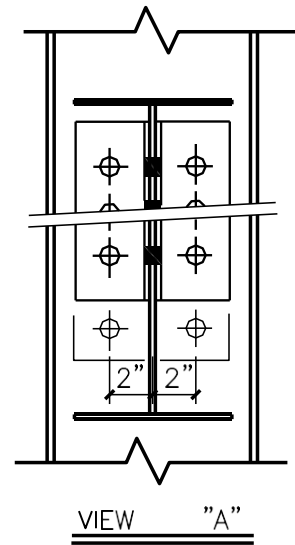
AT0090

AT0100 – HIGH EAVE AT COLUMN WEB WITH CLIP



NOTE:

3/4" WASHERS
REQUIRED OVER
ALL SLOTS.

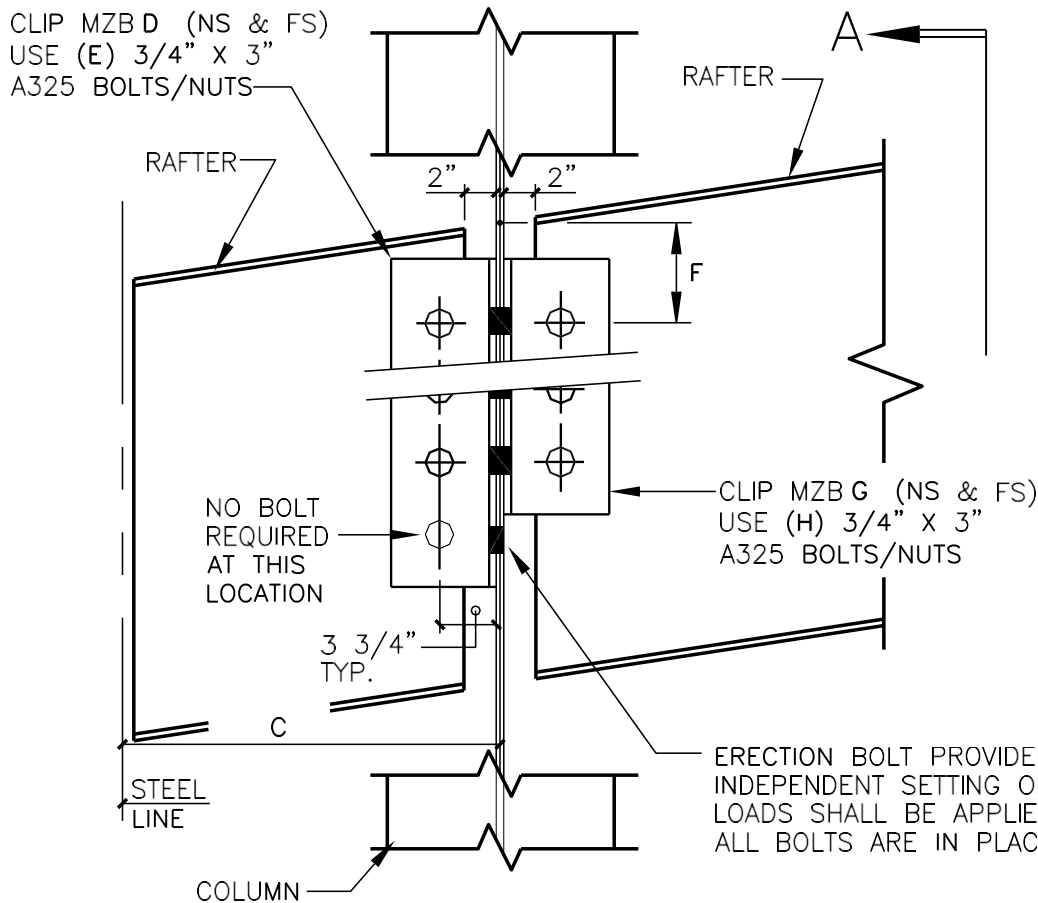


AUXILIARY RAFTER CONNECTION DETAIL

RAFTER TO WEB OF FULL HEIGHT COLUMN

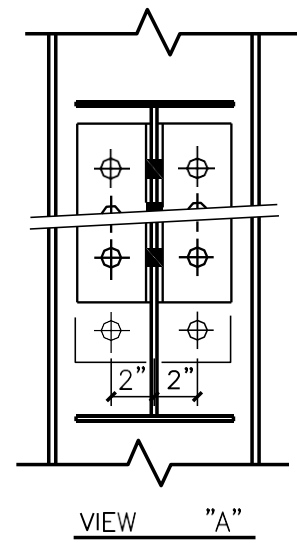
AT0100

AT0110 – LOW EAVE AT COLUMN WEB WITH STUB



NOTE:

3/4" WASHERS
REQUIRED OVER
ALL SLOTS.

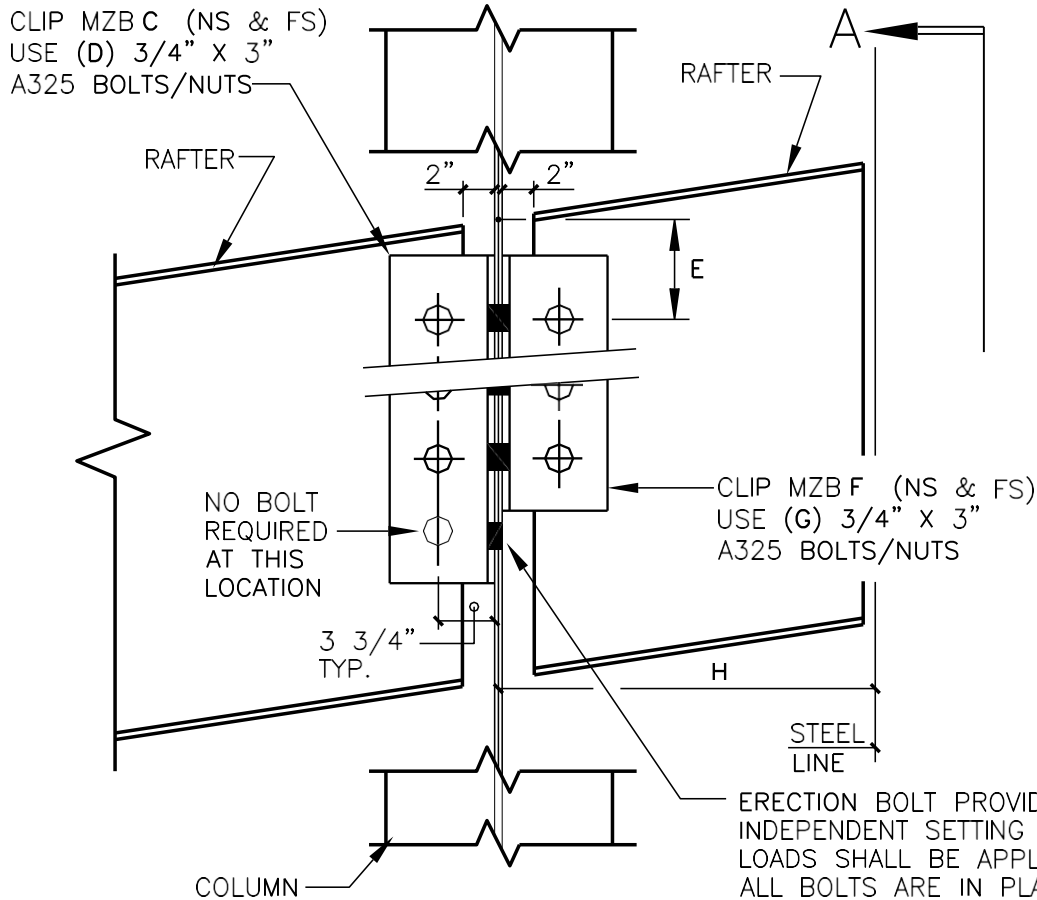


AUXILIARY RAFTER CONNECTION DETAIL

RAFTER TO WEB OF FULL HEIGHT COLUMN

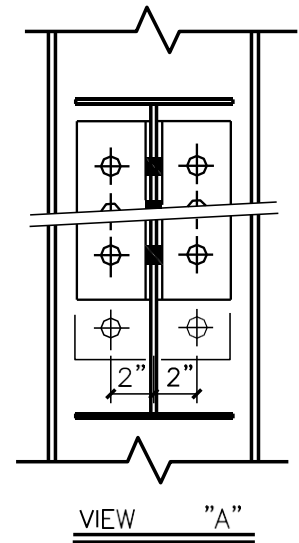
AT0110

AT0120 – HIGH EAVE AT COLUMN WEB WITH STUB



NOTE:

3/4" WASHERS
REQUIRED OVER
ALL SLOTS.



AUXILIARY RAFTER CONNECTION DETAIL

RAFTER TO WEB OF FULL HEIGHT COLUMN

AT0120